

6620LCT
20 INCH LCD TELEVISION
 (Tilt Stand Type)

FEATURES

- **MTS/SAP Tuner**
- **181 Channel Selection-** All VHF/UHF channels plus up to 125 cable channels.
- **PLL Frequency Synthesized Tuning-** Provides free and easy channel selection and lets you tune directly to any channel using the channel number buttons on the remote control.
- **Sleep Timer**
- **Closed Caption Decoder**
- **Auto Shut Off Function-** If there is no signal input from the antenna terminal and no user operation for 15 minutes, the TV will turn itself off automatically.
- **V-CHIP-** Enables parents to prevent their children from watching inappropriate material on TV.
- **Full-Function Remote Control**
- **On-Screen Function Display**
- **S-VIDEO Input-** Allows you to get better picture detail and clarity.
- **Component Input**

PRECAUTIONS

- Place your TV in a room with adequate ventilation.
- Keep your TV set away from sources of direct heat, such as heat registers or direct sunlight.
- Do not place your TV on soft surfaces, such as rugs or blankets.
- Leave enough room for air to circulate around the bottom, top and back of the set.

The serial number of this product may be found on the back of the TV. No others have the same serial number as yours. You should record the number and other vital information here and retain this book as a permanent record of your purchase to aid identification in case of theft.

Date of Purchase		Dealer Phone No.	
Dealer Purchase from		Model No.	
Dealer Address		Serial No.	

IF YOU NEED ADDITIONAL ASSISTANCE WITH SET-UP OR OPERATING AFTER READING OWNER'S MANUAL, PLEASE CALL TOLL FREE 1-800-968-3429 OR VISIT OUR WEB SITE AT <http://www.SylvaniaConsumerElectronics.com>

IMPORTANT SAFEGUARDS

WARNING:

TO REDUCE THE RISK OF FIRE OR ELECTRIC SHOCK, DO NOT EXPOSE THIS APPLIANCE TO RAIN OR MOISTURE.



CAUTION: TO REDUCE THE RISK OF ELECTRIC SHOCK, DO NOT REMOVE COVER (OR BACK) NO USER SERVICEABLE PARTS INSIDE. REFER SERVICING TO QUALIFIED SERVICE PERSONNEL.

The important note is located on the rear of the cabinet.

1. **READ INSTRUCTIONS** - All the safety and operating instructions should be read before the appliance is operated.
2. **RETAIN INSTRUCTIONS** - The safety and operating instructions should be retained for future reference.
3. **HEED WARNINGS** - All warnings on the appliance and in the operating instructions should be adhered to.
4. **FOLLOW INSTRUCTIONS** - All operating and use instructions should be followed.
5. **CLEANING** - Unplug TV from the wall outlet before cleaning. Do not use liquid cleaners or aerosol cleaners. Use a damp cloth for cleaning.
EXCEPTION: A product that is meant for uninterrupted service and, that for some specific reason, such as the possibility of the loss of an authorization code for a CATV converter, is not intended to be unplugged by the user for cleaning or any other purpose, may exclude the reference to unplugging the appliance in the cleaning description otherwise required in item 5.
6. **ATTACHMENTS** - Do not use attachments not recommended by the TV manufacturer as they may cause hazards.
7. **WATER AND MOISTURE** - Do not use this TV near water, for example, near a bath tub, wash bowl, kitchen sink, or laundry tub, in a wet basement, or near a swimming pool, and the like.
8. **ACCESSORIES** - Do not place this TV on an unstable cart, stand, tripod, bracket, or table. The TV may fall, causing serious injury to someone, and serious damage to the appliance. Use only with a cart, stand, tripod, bracket, or table recommended by the manufacturer, or sold with the TV.
 Any mounting of the appliance should follow the manufacturer's instructions and should use a mounting accessory recommended by the manufacturer. An appliance and cart combination should be moved with care. Quick stops, excessive force, and uneven surfaces may cause the appliance and cart combination to overturn.

THIS SYMBOL INDICATES THAT DANGEROUS VOLTAGE CONSTITUTING A RISK OF ELECTRIC SHOCK IS PRESENT WITHIN THIS UNIT.

THIS SYMBOL INDICATES THAT THERE ARE IMPORTANT OPERATING AND MAINTENANCE INSTRUCTIONS IN THE LITERATURE ACCOMPANYING THE APPLIANCE.

AMEUBLES - Cet appareil ne doit être placé que sur un meuble (avec ou sans roulettes) recommandé par le fabricant. Si vous l'installez sur un meuble à roulettes, déplacez les deux ensembles avec précaution. Un arrêt brusque, l'utilisation d'une force excessive et des surfaces irrégulières risquent de déstabiliser l'ensemble et de le renverser.



9. **VENTILATION** - Slots and openings in the cabinet and the back or bottom are provided for ventilation and to ensure reliable operation of the TV and to protect it from overheating, these openings must not be blocked or covered. The openings should never be blocked by placing the TV on a bed, sofa, rug, or other similar surface. This TV should never be placed near or over a radiator or heat register. This TV should not be placed in a built-in installation such as a bookcase or rack unless proper ventilation is provided or the manufacturer's instructions have been adhered to.
10. **POWER SOURCES** - This TV should be operated only from the type of power source indicated on the marking label. If you are not sure of the type of power supply to your home, consult your appliance dealer or local power company. For TVs intended to operate from battery power, or other sources, refer to the operating instructions.
11. **GROUNDING OR POLARIZATION** - This TV is equipped with a polarized alternating-current line plug (a plug having one blade wider than the other). This plug will fit into the power outlet only one way. This is a safety feature. If you are unable to insert the plug fully into the outlet, try reversing the plug. If the plug should still fail to fit, contact your electrician to replace your obsolete outlet. Do not defeat the safety purpose of the polarized plug.
12. **POWER-CORD PROTECTION** - Power-supply cords should be routed so that they are not likely to be walked on or pinched by items placed upon or against them, paying particular attention to cords at plugs, convenience receptacles, and the point where they exit from the appliance.

SYLVANIA LIMITED WARRANTY

FUNAI CORP. will repair this product, free of charge in the USA in the event of defect in materials or workmanship as follows:

DURATION:

PARTS:

FUNAI CORP. will provide parts to replace defective parts without charge for one (1) year from the date of original retail purchase. Certain parts and LCD image burn-in are not covered under this warranty.

LABOR:

FUNAI CORP. will provide the labor without charge for a period of ninety (90) days from the date of original retail purchase.

LIMITS AND EXCLUSIONS:

THIS WARRANTY IS EXTENDED ONLY TO THE ORIGINAL RETAIL PURCHASER. A PURCHASE RECEIPT OR OTHER PROOF OF ORIGINAL RETAIL PURCHASE WILL BE REQUIRED TOGETHER WITH THE PRODUCT TO OBTAIN SERVICE UNDER THIS WARRANTY.

This warranty shall not be extended to any other person or transferee.

This warranty is void and of no effect if any serial numbers on the product are altered, replaced, defaced, missing or if service was attempted by an unauthorized service center. This limited warranty does not apply to any product not purchased and used in the United States.

This warranty only covers failures due to defects in material or workmanship which occurs during normal use. It does not cover damage which occurs in shipment, failures which are caused by repairs, alterations or product not supplied by FUNAI CORP., or damage which results from accident, misuse, abuse, mishandling, misapplication, alteration, faulty installation, improper maintenance, commercial use such as hotel, rental or office use of this product or damage which results from fire, flood, lightning or other acts of God.

THIS WARRANTY DOES NOT COVER PACKING MATERIALS, ANY ACCESSORIES (EXCEPT REMOTE CONTROL), ANY COSMETIC PARTS, COMPLETE ASSEMBLY PARTS, DEMO OR FLOOR MODELS.

FUNAI CORP. AND ITS REPRESENTATIVES OR AGENTS SHALL IN NO EVENT BE LIABLE FOR ANY GENERAL, INDIRECT OR CONSEQUENTIAL DAMAGES ARISING OUT OF OR OCCASIONED BY THE USE OF OR THE INABILITY TO USE THIS PRODUCT. THIS WARRANTY IS MADE IN LIEU OF ALL OTHER WARRANTIES, EXPRESS OR IMPLIED, AND OF ALL OTHER LIABILITIES ON THE PART OF FUNAI, ALL OTHER WARRANTIES INCLUDING THE WARRANTY OF MERCHANTABILITY AND FITNESS FOR A PARTICULAR PURPOSE, ARE HEREBY DISCLAIMED BY FUNAI AND ITS REPRESENTATIVES IN THE UNITED STATES.

ALL WARRANTY INSPECTIONS AND REPAIRS MUST BE PERFORMED BY AN AUTHORIZED SERVICE CENTER. THIS WARRANTY IS ONLY VALID WHEN THE UNIT IS CARRIED-IN TO AN AUTHORIZED SERVICE CENTER.

THE PRODUCT MUST BE ACCOMPANIED BY A COPY OF THE ORIGINAL RETAIL PURCHASE RECEIPT. IF NO PROOF OF PURCHASE IS ATTACHED, THE WARRANTY WILL NOT BE HONORED AND REPAIRS COSTS WILL BE CHARGED.

IMPORTANT:

THIS LIMITED WARRANTY GIVES YOU SPECIFIC LEGAL RIGHTS. YOU MAY HAVE OTHER RIGHTS THAT VARY FROM STATE TO STATE. IF, AT ANY TIME DURING THE WARRANTY PERIOD, YOU ARE UNABLE TO OBTAIN SATISFACTION WITH THE REPAIR OF THIS PRODUCT, PLEASE CONTACT FUNAI CORP.

ATTENTION:

FUNAI CORP. RESERVES THE RIGHT TO MODIFY ANY DESIGN OF THIS PRODUCT WITHOUT PRIOR NOTICE.

WARRANTY STATEMENT REGARDING NON AUTHORIZED REPAIRS:

To obtain warranty service, you must take the product, or deliver the product freight prepaid, in either its original packaging or packaging affording an equal degree of protection, to any AUTHORIZED SERVICE CENTER. FUNAI CORP. will not reimburse you for any service done by unauthorized service providers without prior written approval.

To locate your nearest AUTHORIZED SERVICE CENTER or for general service inquiries, please contact us at :

FUNAI CORPORATION
 Customer Service

Tel : 1-800-968-3429

<http://www.SylvaniaConsumerElectronics.com>

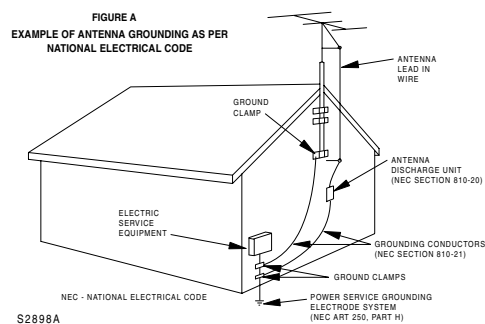
19900 Van Ness Avenue, Torrance, CA 90501

IEMN21765A

Printed in China
 L2620UA/L2600UA * * * *

13. **OUTDOOR ANTENNA GROUNDING** - If an outside antenna or cable system is connected to the TV, be sure the antenna or cable system is grounded so as to provide some protection against voltage surges and built-up static charges. Article 810 of the National Electrical Code, ANSI/NFPA No. 70, provides information with respect to proper grounding of the mast and supporting structure, grounding of the lead-in wire to an antenna discharge unit, size of grounding conductors, location of antenna-discharge unit, connection to grounding electrodes, and requirements for the grounding electrode. (Fig. A)
14. **LIGHTNING** - For added protection for this TV receiver during a lightning storm, or when it is left unattended and unused for long periods of time, unplug it from the wall outlet and disconnect the antenna or cable system. This will prevent damage to the TV due to lightning and power-line surges.
15. **POWER LINES** - An outside antenna system should not be located in the vicinity of overhead power lines or other electric light or power circuits, or where it can fall into such power lines or circuits. When installing an outside antenna system, extreme care should be taken to keep from touching such power lines or circuits as contact with them might be fatal.
16. **OVERLOADING** - Do not overload wall outlets and extension cords as this can result in a risk of fire or electric shock.
17. **OBJECT AND LIQUID ENTRY** - Never push objects of any kind into this TV through openings as they may touch dangerous voltage points or short out parts that could result in a fire or electric shock. Never spill liquid of any kind on the TV.

18. **SERVICING** - Do not attempt to service this TV yourself as opening or removing covers may expose you to dangerous voltage or other hazards. Refer all servicing to qualified service personnel.
19. **DAMAGE REQUIRING SERVICE** - Unplug this TV from the wall outlet and refer servicing to qualified service personnel under the following conditions:
 - a. When the power supply cord or plug is damaged or frayed.
 - b. If liquid has been spilled, or objects have fallen into the TV.
 - c. If the TV has been exposed to rain or water.
 - d. If the TV does not operate normally by following the operating instructions. Adjust only those controls that are covered by the operating instructions, as improper adjustment of other controls may result in damage and will often require extensive work by a qualified technician to restore the TV to its normal operation.
 - e. If the TV has been dropped or damaged in any way.
 - f. When the TV exhibits a distinct change in performance, this indicates a need for service.
20. **REPLACEMENT PARTS** - When replacement parts are required, be sure the service technician uses replacement parts specified by the manufacturer that have the same characteristics as the original part. Unauthorized substitutions may result in fire, electric shock, injury to persons or other hazards.
21. **SAFETY CHECK** - Upon completion of any service or repairs to this TV, ask the service technician to perform routine safety checks to determine that the TV is in proper operating condition.
22. **HEAT** - This TV product should be situated away from heat sources such as radiators, heat registers, stoves, or other products (including amplifiers) that produce heat.



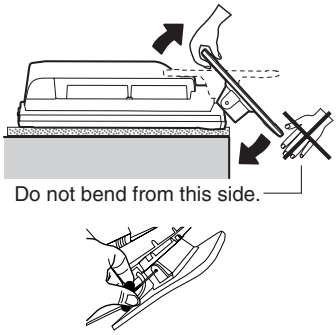
FCC WARNING - This equipment may generate or use radio frequency energy. Changes or modifications to this equipment may cause harmful interference unless the modifications are expressly approved in the manual. The user could lose the authority to operate this equipment if an unauthorized change or modification is made.

Note to CATV system installer:

This reminder is provided to call the CATV system installer's attention to Article 820-40 of the NEC that provides guidelines for proper grounding and, in particular, specifies that the cable ground shall be connected to the grounding system of the building as close to the point of cable entry as practical.

PREPARATION FOR USE

UNPACKING

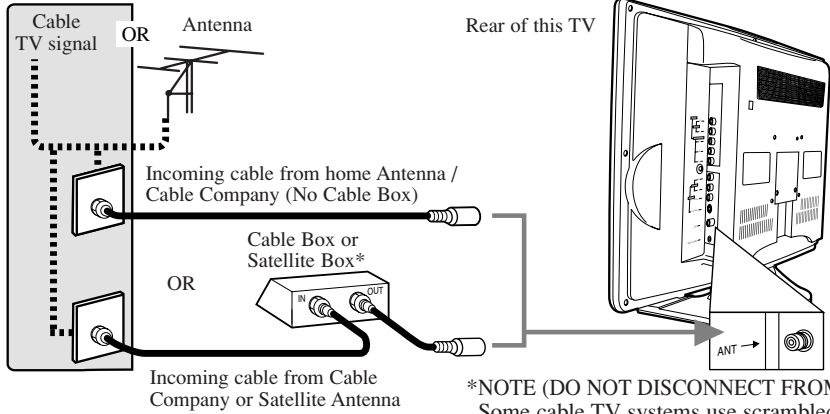


The stand of this TV is folded when you purchased. Place this TV face-down on a flat surface covered with the soft cloth. Bend the stand slowly to forward until it clicks.

If you want to fold the stand again, insert a thin rod into the hole in the right side of the stand as illustrated, bend the stand backward while you keep pushing the hole.

CONNECTIONS

Plug the incoming cable into the ANT jack on the rear of the TV.



Cables not included

*NOTE (DO NOT DISCONNECT FROM BOX)
Some cable TV systems use scrambled signals and require a special converter to receive these channels. Consult your local cable company.

You can bracket this product as wall mounting TV using the arm adapted for 100mm (commercially available).

CAUTION: TO PREVENT ELECTRIC SHOCK, MATCH WIDE BLADE OF PLUG TO WIDE SLOT, FULLY INSERT.

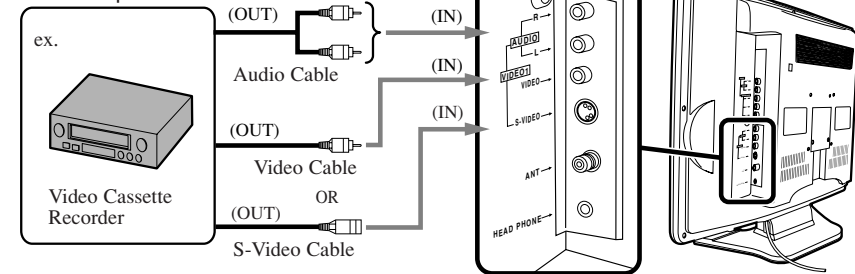
ATTENTION: POUR ÉVITER LES CHOCS ÉLECTRIQUES, INTRODUIRE LA LAME LA PLUS LARGE DE LA FICHE DANS LA BORNE CORRESPONDANTE DE LA PRISE ET POUSSER JUSQU'AU FOND.

Note:

- For your safety and to avoid damages to the unit, unplug the antenna cable from the ANT jack before moving the unit.

[EXTERNAL CONNECTION]

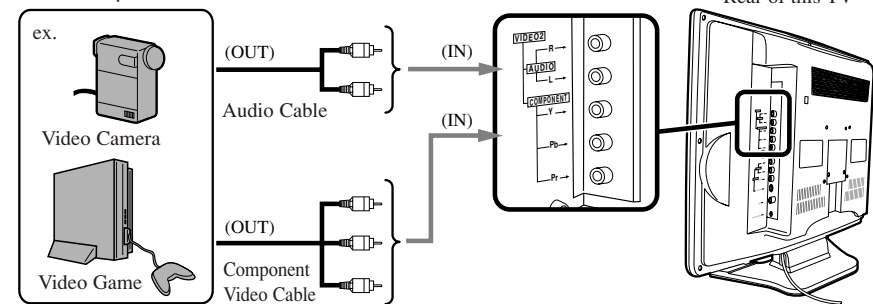
VIDEO1 input



Notes:

- The AUDIO L jack is for mono input. The sound is heard from both speakers. Use this jack for connecting monaural audio equipment.
- The S-VIDEO jack is given priority over the VIDEO jack.

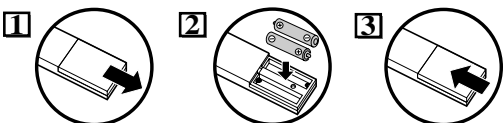
VIDEO2 input



Notes:

- This TV can accept 480p / 480i / simplified 1080i video signal.
- Simplified 1080 video signal differs to the original 1080i video signal because it is displayed after converted into 480p signal.

INSTALLING THE BATTERIES



Install two AAA batteries (supplied) matching the polarity indicated inside battery compartment of the remote control.

[BATTERY PRECAUTIONS]

- Be sure to follow the correct polarity as indicated in the battery compartment. Reversed batteries may cause damage to the device.
- Do not mix different types of batteries together (e.g. Alkaline and Carbon-Zinc) or old batteries with fresh ones.
- If the device is not to be used for a long period of time, remove the batteries to prevent damage or injury from possible battery leakage.
- Do not try to recharge batteries not intended to be recharged; they can overheat and rupture.

INITIAL SETUP

When you turn on the power for the first time, the "SELECT LANGUAGE" menu is displayed. The "INITIAL SETUP" menu is displayed every time you turn on the unit unless the scanning is completed.

1 Select the desired language according to the screen indication. After that, the TV performs "AUTO PRESET CH" to scan channels available for the broadcasting in your area.

SELECT LANGUAGE

ENGLISH NEXT.PRESS CHA

ESPAÑOL DESPUES.PRESIONE CH*

FRANCAIS APRES.PRESSEZ VOLA

INITIAL SETUP

PLEASE CONNECT ANTENNA OR CABLE OR SATELLITE TO THIS UNIT. THEN PRESS CH A. IN ORDER TO PERFORM "AUTO PRESET CH."

2 If the TV screen shows snow noise and there is no operation for more than 5 seconds, "HELPFUL HINTS" appears. Follow the instructions listed on-screen.

HELPFUL HINTS

1. PLEASE CHECK TO SEE IF THE ANTENNA/CABLE/SATELLITE IS PROPERLY CONNECTED.

2. DID YOU PERFORM "AUTO PRESET CH"?

3. PLEASE REFER TO FRONT PAGE OF THE OWNER'S MANUAL OR REAR PANEL FOR SUPPORT LINE INFORMATION.

When the scanning is completed, or [MENU] is pressed during channel scanning to cancel it, the tuner stops on the lowest memorized channel.

Notes:

- In case no channel can be received by the channel scanning, "NO TV SIGNALS" is displayed on the screen. Turn off the unit and check the antenna connection, then follow step 1 again.
- If those settings do not work properly, please call our help line on the front page of this owner's manual.

SELECTING AUDIO/VIDEO INPUT

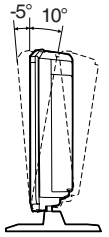
When you use the AUDIO/VIDEO input jacks, select "VIDEO1" or "VIDEO2" mode by pressing [INPUT SELECT] on the remote control or [SELECT] on the main unit. The input mode changes by pressing the button as following:



TILT STAND

Tilt Stand

Adjust the stand to change the angle of TV (-5° ~ 10°).



OPERATIONS

REMOTE CONTROL AND TOP PANEL FUNCTION

IR transmitter
To send infrared ray (IR) signal

POWER button
To turn TV on/off

VOL Δ/∇ buttons
To adjust volume
To decide the command of settings

MENU button
To view on-screen menu

MUTE button
To mute sound

DISPLAY button
To display CH No./Audio Status

INPUT SELECT button
To select TV or external input

CH ▲/▼ buttons
To select channels and move up/down through menu items

Channel number buttons
Press two digits to directly access the desired channel. Remember to press a "0" before a single digit channel.

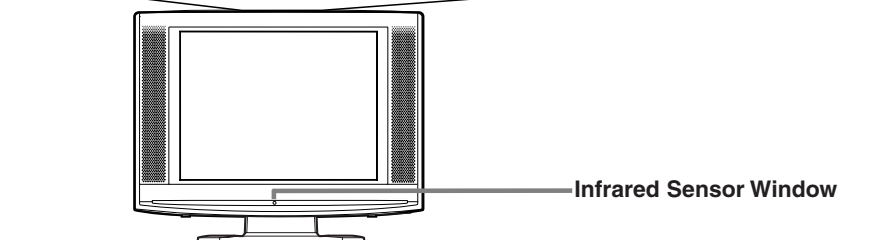
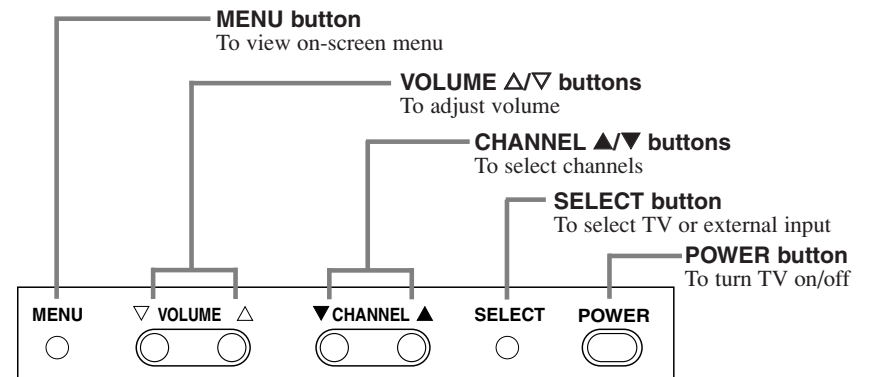
+100 button
Press to select cable channels higher than 99.

SLEEP button
To set Sleep Timer

CH RET button
To return to previous channel

Note:

- You can test if the remote control sends out the infrared signal with an AM radio. (Refer to "TROUBLESHOOTING GUIDE".)



Note:

- If some digits appear in the corner of the screen when the unit is turned on at the first time, press [POWER] without unplugging the power cord.

OPERATIONS (Continued)

CHANNEL SETTING

[AUTO PRESET CHANNELS]

Channel presetting is necessary at the start or in case you moved the TV to a different area. This feature automatically scans and memorizes all available channels in your area and lets you easily select with [CH ▲/▼].

- Select "CHANNEL SET UP"
- Select "AUTO PRESET CH"

The tuner starts scanning automatically.
- After scanning (completed)

The lowest memorized channel appears.

OR

(in failure) Check antenna connection and try again.

Note:

- The TV may recognize TV channels as CATV channels if reception condition is poor. If this happens, check the antenna connections and try scanning again when reception conditions are better.

[ADDING/DELETING CHANNELS]

You can add channels that was not memorized by AUTO PRESET CH due to the bad reception status and also delete channels you no longer receive or seldom watch.

- Select "CHANNEL SET UP"
- Select "ADD/DELETE CH"
- Select the channel you wish
- Add or delete the channel

Add: light blue
Delete: light red
- To exit the menu

BRIGHTNESS

Adjust until the darkest parts of the picture are as bright as you prefer.

- [-] : decrease brightness
- [+] : increase brightness

CONTRAST

Adjust to increase or decrease contrast.

- [-] : decrease contrast
- [+] : increase contrast

COLOR

Adjust to be brilliant or pale color.

- [-] : be pale color
- [+] : be brilliant color

TINT

Adjust to obtain natural skin tones.

- [-] : add red
- [+] : add green

SHARPNESS

Adjust the detail of the picture.

- [-] : less clear
- [+] : more clearer

BACK LIGHT SETTING

- Select "BACK LIGHT"

- Select the desired brightness mode
- To exit the menu

CLOSED CAPTION

You may view specially labeled (cc) TV programs, movies, news and prerecorded tapes, etc. with either a dialogue caption or text display added to the program.

- Select "CAPTION"

- Select the desired caption mode
- To exit the menu

[CAPTION MODE (CAPTION1, CAPTION2)]

- CAPTION1 displays standard closed captions (what a character is saying).
- CAPTION2 displays foreign language closed captions (foreign language words showing what a character is saying).
- There are three ways of displaying according to programs:

Paint-on mode: Displays input characters on the screen immediately.

Pop-on mode : Once characters are stored in memory, they are displayed all at once.

Roll-up mode : Displays the characters continuously by scrolling (max. 4 lines).

[TEXT MODE (TEXT1, TEXT2)]

- TEXT1 and TEXT2 display half-screen text by scrolling (such as a channel guide, schedule or announcement).

Notes:

- If closed captioning is not broadcasted, you cannot receive it and nothing is displayed.
- When your TV receives a special effects playback signal (i.e., Search, Slow and Still) from a VCR's video output channel (CH3 or CH4), the TV may not display the correct caption or text.
- Captions and texts may not match the TV voice exactly.
- Interference may cause the closed caption system not to function properly.
- The caption or text characters will not be displayed while the menu display or functions display is shown.
- If a black box appears on the screen, this means that the TV is set to TEXT mode. To clear screen, select [CAPTION1], [CAPTION2] or [OFF].

SLEEP TIMER SETTING

- Select "SLEEP"

The time increases by 10 minutes up to 90.

Notes:

- When you disconnect the unit from the AC outlet or when you have a power failure, the sleep time will be lost.
- To cancel the sleep timer, press [SLEEP] repeatedly until "SLEEP 0 MINUTE" is displayed.
- The Sleep Timer Setting display will disappear automatically after 10 seconds of the operation.
- You can also set the Sleep Timer by pressing [SLEEP] repeatedly.

MULTI-CHANNEL TELEVISION SOUND (MTS) SYSTEM

- Select "TV SOUND"
- Select the desired sound mode
- To exit the menu

Menu Selection	MAIN	MONO	SAP*
Regular	-None-	-None-	-None-
Stereo broadcast	STEREO	MONO	STEREO
SAP	MAIN	MAIN	SAP

*Second Audio Program (SAP) :

Your program can also be received in a second language or sometimes a radio station.

Note:

- If you select [SAP] when second audio is not available, the TV will receive normal audio.

PICTURE ADJUSTMENT

- Select "PICTURE"

- Select an item to adjust
- Adjust the setting

OPTIONAL SETTINGS

LANGUAGE SELECTION

- Select "LANGUAGE"

- Select the desired language
- To exit the menu

OPTIONAL SETTINGS (Continued)

V-CHIP SET UP

This enables parents to prevent their children from watching inappropriate material on TV.

- The limitation is not available for news, sports programs, unedited movies on premium cable channels and Emergency Broadcast System signals.
- When you try to access to a program which is blocked, "PROTECTED PROGRAM by ..." message appears on the TV screen.
- Programming may be rated by the Motion Picture Association of America (MPAA) or according to the Television Parental Guidelines. In order to block any inappropriate programming, set your limits in both MPAA RATING and TV RATING.

1 Select "V-CHIP SET UP"

2 Enter 4-digit code

If you have not set up your personal access code, enter 0000 (default access code).

3 Select a feature to set up

A [TV RATING SET UP]

4 Select a rating

<Selection> <Rating Category Explanations>

- TV-Y : Appropriate for all children
- TV-Y7 : Appropriate for children seven and older
- TV-G : General Audience
- TV-PG : Parental Guidance suggested
- TV-14 : Unsuitable for children under 14
- TV-MA : Mature audience only

5-1 * Rating with no sub categories
Set to [BLOCK] or [VIEW]

5-2 * Rating with sub categories

Select a rating

Set to [BLOCK] or [VIEW]

<Selection> <Rating Category Explanations>

- TV-Y7
FV : Fantasy Violence
- TV-PG / TV-14 / TV-MA :
D : Suggestive Dialogue (TV-PG, TV-14 only)
- L : Coarse Language
- S : Sexual Situation
- V : Violence

B [MPAA RATING SET UP]

4 Select a rating

5 Set to [BLOCK] or [VIEW]

<Selection> <Rating Category Explanations>

- G : General Audience
- PG : Parental Guidance suggested
- PG-13 : Unsuitable for children under 13
- R : Restricted; under 17 requires accompanying parent or adult guardian
- NC-17 : No one under 17 admitted
- X : Mature audience only

6 To exit the menu

Notes (for TV RATING and MPAA RATING):

- You cannot access the setup menu when the "PROTECTED PROGRAM by ..." message appears. Move to an unblocked channel before you press [MENU].
- When you select a rating and set it to [BLOCK], the higher ratings will be blocked automatically. The lower ratings will be available for viewing.
- When you set "X" or "TV-MA" to [VIEW], all ratings turn to [VIEW] automatically.

C [CHANGING THE ACCESS CODE]

4 Enter 4-digit code

5 To exit the menu

Notes:

- Make sure you enter exactly the same new code in the "CONFIRM CODE" space as one in the "NEW CODE" space. If they are different, the "NEW CODE" space is cleared for redoing.
- Your personal access code will be erased and will return to the default (0000) when a power failure occurs or when you turn off the power using a wall switch. If you have forgotten the code, unplug the power cord for 10 seconds to restore the access code to 0000.

TROUBLESHOOTING GUIDE

Sometimes a performance problem can be easily solved by checking seemingly apparent but often overlooked possibilities. Before arranging for service, check these items. It could save your time and money.

QUICK SERVICE CHECK LIST

Problem	Possible Remedy
Remote Control Doesn't Work	1Try a new channel, if OK, then possible station trouble. 2Is TV plugged in? Power at outlet?
Bars on Screen	3Is TV's power on? 4Is antenna or cable connected to terminal on the back of the set?
Picture Distorted	5If outside antenna is being used, check for broken wire or loose connection. 6Check for local interference.
Picture Rolls Vertically	7Turn off the TV and then turn it on after about a minute. 8Adjust COLOR control.
No Color	9Adjust CONTRAST & BRIGHT control. 10....Check batteries in remote control.
Poor Reception on Some Channels	11....Move the TV away from the nearby appliances which generate a magnetic field. Turn off using [POWER], then turn it on again 30 minutes later or so.
Weak Picture	12....Temperature around is too low. 13....Life of the Back Light is approximately 50,000 hours. Ask the Service Center to replace.
Lines or Streaks in Picture	14....It is quality of the LCD Panel.
Ghosts in Picture	15....Check if there is an obstacle between the sensor and the remote control.
Picture Blurred	16....Test the signal output.* If OK, then possible remote sensor trouble.
Sound OK, Picture Poor	
Picture OK, Sound Poor	
No Picture or Sound	
Different Color Marks on Screen	
Black or Luminous Point on Screen	

*Additional Remote Test

Tune an AM radio to a station with no broadcasting. Press a button on the remote control toward the radio. Sound will be fluttering when you press any key and the radio receives the signal. This means the remote control unit is working.

Closed Caption Problem	Possible Remedy
Misspelled captions are shown.	Spelling errors may pass through uncorrected by the closed captioning production company in a live broadcast.
Text is not shown in its entirety or there is a delay of what is being said.	Captions that are delayed a few seconds behind the actual dialogue are common for live broadcasts. Most captioning production companies can display a dialogue to a maximum of 220 words per minute. If a dialogue exceeds that rate, selective editing is used to insure that the captions remain up-to-date with the current TV screen dialogue.
Captions are scrambled with white boxes on the TV screen.	Interference caused by building, power lines, thunderstorms, etc. may cause scrambled or incomplete captions to appear.
No captions are displayed in a program which must contain closed caption.	Broadcasters may use a time compression process to the actual program so that additional advertising time can be given. In this case, captions will be lost since the decoder cannot read the compressed information.
No captions are displayed when playing a prerecorded videotape with closed caption.	The videotape may be either an illegal copy or the tape duplicating company may accidentally have left out the captioning signals during the copying process.
The TV screen shows a black box.	You are in TEXT mode. Select [CAPTION1], [CAPTION2] or [OFF].

The LCD panel is manufactured to provide many years of useful life. Occasionally a few non active pixels may appear as a fixed point of blue, green or red. This is not to be considered a defect in the LCD screen.

MAINTENANCE

CABINET CLEANING

- Wipe the front panel and other exterior surfaces of the TV with a soft cloth immersed in lukewarm water and wrung dry.
- Never use a solvent or alcohol. Do not spray insecticide liquid near the TV. Such chemicals may cause damage and discoloration to the exposed surfaces.

PICTURE SCREEN CLEANING

If the liquid crystal display panel should require cleaning, wipe it with a cotton or soft cloth. Before cleaning the picture screen, disconnect the power cord.

SUPPLIED ACCESSORIES

- Owner's Manual (1EMN21765A)
- Remote control unit (NE903UD)
- Batteries ("AAA" x 2)

SPECIFICATIONS

GENERAL SPECIFICATIONS

Television system: NTSC-M
TV Standard

Closed Caption System: \$15.119/FCC

Channel coverage
VHF: 2 ~ 13
UHF: 14 ~ 69
CATV: 2 ~ 13, A ~ W, W+1 ~ W+84, A-5 ~ A-1, 5A

Tuning System: 181 channels
frequency synthesized tuning system

Channel access: Direct access keyboard, programmable scan and up/down

Terminals
Antenna input: VHF/UHF/CATV
75 ohm unbalanced (F-type)

S-Video input: Mini DIN 4-pin jack
Video input: RCA connector x 1
Audio input: RCA connector x 4
Component video input:
One pin jack (Y), 1Vpp(75 ohm)
Two pin jacks (Pr)(Pb), 700mVpp(75 ohm)
Headphone: 1/8" stereo (3.5mm)

Stereo Sound System
2 speakers
2 ways AV input

ELECTRICAL SPECIFICATIONS

Sound output: 1W, 8 ohm x 2

OTHER SPECIFICATIONS

Remote control: Digital encoded infrared light system

Operating temperature: 5°C to 40°C
(41°F~104°F)

Power requirements: AC120V, 60Hz

Power consumption (Maximum): 53W

LCD: 20"

Dimensions (H x W x D):
With Tilt Stand
18-5/16" x 23-3/8" x 9-1/8"
(465mm x 594mm x 231mm)

Weight:
With Tilt Stand: 13.2 lbs. (6.0kg)

• Designs and specifications are subject to change without notice and without our legal obligation.
• If there is a discrepancy between languages, the default language will be English.

6620LCT
20 PULGADAS
TELEVISION DE CRISTAL LIQUIDO
(Tipo marco para inclinado)

CARACTERISTICAS

- **Sintonizador MTS/SAP**
- **Selección de 181 canales-** Todos los canales VHF/UHF y 125 canales de cable.
- **Sintonización sintetizada de frecuencia PLL-** Ofrece una selección libre y fácil de canales y permite sintonizar directamente cualquier canal utilizando los botones numéricos de canal en el mando a distancia.
- **Temporizador para dormir**
- **Decodificador de subtítulos**
- **Función de desconexión automática-** Si no hay entrada de señal del terminal de antena ni se hace funcionar durante 15 minutos, el TV se apagará automáticamente.
- **V-CHIP-** Permite a los padres evitar que sus niños vean material no apropiado en el TV.
- **Mando a distancia con todas las funciones**
- **Indicación de funciones en la pantalla**
- **Entrada S-VIDEO-** Permite ver mejores detalles y nitidez de imagen.
- **Entrada componente**

PRECAUCIONES

- Coloque su TV en una habitación con adecuada circulación de aire.
- Mantenga su TV lejos de fuentes de calor directas tales como calefactores o rayos directos del sol.
- No coloque su TV en una superficie suave como alfombras o mantas.
- Deje suficiente espacio para que el aire circule alrededor de la parte inferior, arriba y atrás del aparato.

El número de serie de este producto está en la parte trasera del TV. Nadie tiene el mismo número de serie que el suyo. Debe registrar el número y otra información importante aquí y guardar el libro como un registro permanente de su compra para ayudar a su identificación en caso de robo.

Fecha de compra		Nº de teléfono de la tienda	
Tienda donde se compró		Nº de modelo	
Dirección de la tienda		Nº de serie	

Si usted necesita asistencia adicional para la instalación u operación después de leer el manual del usuario, por favor llame por la línea gratuita al: **1-800-968-3429**. O visite nuestro sitio Web en <http://www.SylvaniaConsumerElectronics.com>

FUNAI CORP. reparará este producto libre de cargos en los EE.UU. de América, en caso de defectos en los materiales u obra de mano, de la siguiente manera:

DURACION:

Partes: FUNAI CORP. proveerá las partes necesarias para reemplazar las piezas defectuosas sin ningún cargo durante un (1) año a partir de la fecha de la compra original al minorista. Ciertas partes y la imagen secundaria en el LCD no están cubiertas por esta garantía.

Mano de obra: FUNAI CORP. proveerá la mano de obra necesaria sin cargos por un período de noventa (90) días a partir de la fecha de compra original al minorista.

LIMITES Y EXCLUSIONES:

ESTA GARANTÍA ES EXTENSIVA SOLAMENTE AL COMPRADOR ORIGINAL DEL MINORISTA. UN RECIBO DE COMPRA U OTRA PRUEBA DE LA COMPRA ORIGINAL SERÁ REQUERIDA JUNTO CON EL PRODUCTO PARA OBTENER SERVICIO CUBIERTO POR ESTA GARANTÍA.

Esta garantía no será extendida a ninguna otra persona o cesionario. Esta garantía queda anulada y no tendrá efecto si cualquier número serial del producto es alterado, reemplazado, mutilado o faltante, o si un centro de servicio no autorizado intenta realizar reparaciones. Esta garantía limitada no es aplicable a cualquier producto que no haya sido comprado y usado en los Estados Unidos de América.

Esta garantía solamente cubre fallas debido a defectos en los materiales o mano de obra que hayan ocurrido durante el uso normal del producto. Por lo tanto no cubre daños ocurridos durante su transporte, o fallas causadas por su reparación, alteración o productos no provistos por FUNAI CORPORATION, o daños que resulten de accidentes, mal uso, abuso, maltrato, uso indebido, alteración, instalación defectuosa, mantenimiento incorrecto, uso comercial como en hoteles, renta u oficinas, o daños como consecuencia de incendio, inundación, rayos u otros casos de fuerza mayor. ESTA GARANTIA NO CUBRE LOS MATERIALES DE EMPAQUE, NINGUN ACCESORIO (EXCEPTO EL CONTROL REMOTO), NINGUNA PARTE COSMETICA, PARTES COMPLETAS DE MONTAJE, DEMOSTRACION O MODELOS DE EXHIBICION.

FUNAI CORP. Y SUS REPRESENTANTES O AGENTES NO SERAN SOMETIDOS BAJO NINGUN CONCEPTO A NINGUNA RESPONSABILIDAD POR DAÑOS GENERALES, INDIRECTOS O COMO CONSECUENCIA, ORIGINADOS U OCASIONADOS POR EL USO O LA INCAPACIDAD DE USAR ESTE PRODUCTO. ESTA GARANTIA ES EMITIDA EN LUGAR DE CUALQUIER OTRA GARANTIA, EXPRESA O IMPLICITA, Y DE CUALQUIER OTRA RESPONSABILIDAD DE PARTE DE FUNAI. CUALQUIER OTRA GARANTIA INCLUYENDO LA GARANTIA DE COMERCIALIZACION, Y APTITUD PARA UN OBJETIVO EN PARTICULAR, QUEDA POR LA PRESENTE RECHAZADA POR FUNAI Y SUS REPRESENTANTES EN LOS ESTADOS UNIDOS DE AMERICA. CUALQUIER INSPECCION Y REPARACION BAJO GARANTIA DEBERA SER REALIZADA POR EL CENTRO DE SERVICIO AUTORIZADO. ESTA GARANTIA ES VALIDA CUANDO EL APARATO ES LLEVADO A UN CENTRO DE SERVICIO AUTORIZADO.

EL PRODUCTO DEBERA LLEGAR ACOMPAÑADO POR UNA COPIA DEL RECIBO ORIGINAL DE COMPRA. SI NO SE AGREGA NINGUN COMPROBANTE DE LA COMPRA, LA GARANTIA NO TENDRA VALIDEZ Y LOS GASTOS DE REPARACION SERAN CARGADOS AL CLIENTE.

IMPORTANTE:

ESTA GARANTIA LIMITADA LE OTORGA A USTED DERECHOS LEGALES ESPECIALES. POSIBLEMENTE USTED TENGA OTROS DERECHOS QUE VARIAN DE ACUERDO AL ESTADO EN QUE VIVE. SI, EN CUALQUIER MOMENTO DURANTE EL PERIODO DE GARANTIA USTED SE VE IMPEDIDO DE SENTIRSE SATISFECHO CON LA REPARACION DE ESTE PRODUCTO, POR FAVOR CONTACTE A FUNAI CORP.

ATENCIÓN:

FUNAI CORP. SE RESERVA EL DERECHO A MODIFICAR CUALQUIER PARTE DEL DISEÑO DE ESTE PRODUCTO SIN PREVIO AVISO.

DECLARACIÓN DE GARANTÍA CON RESPECTO A REPARACIONES NO AUTORIZADAS:

Para obtener servicio de garantía, debe usted hacer entrega del producto directamente o con portes pagados, ya sea en su embalaje original o en un embalaje que proporcione el mismo grado de protección, a cualquier CENTRO DE SERVICIO AUTORIZADO. FUNAI CORP. no efectuará reembolso por ningún servicio realizado por proveedores de servicio no autorizados sin autorización previa por escrito.

Para localizar su CENTRO DE SERVICIO AUTORIZADO más cercano o para preguntas generales de servicio, por favor ponte contacto con nosotros a :

FUNAI CORPORATION

Servicio al Cliente

Tel :1-800-968-3429

<http://www.SylvaniaConsumerElectronics.com>

19900 Van Ness Avenue, Torrance, CA 90501

L2620UA/L2600UA

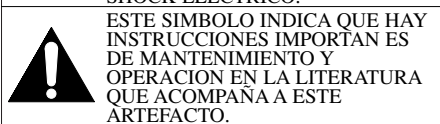
IMPORTANTE PARA SU SEGURIDAD

ADVERTENCIA:

PARA REDUCIR EL RIESGO DE INCENDIO O DE SHOCK ELÉCTRICO, NO EXPONGA ESTE ARTEFACTO A LA LLUVIA O LA HUMEDAD.



PRECAUCION: PARA REDUCIR EL RIESGO DE SHOCK ELÉCTRICO, NO quite la cubierta (o la tapa posterior). EL APARATO NO TIENE ADENTRO PIEZAS QUE PUEDAN REPARARSE. DEJE LA REPARACION AL PERSONAL DE SERVICIO CALIFICADO.



La nota importante está colocada en la parte trasera del gabinete.

1. **LEA LAS INSTRUCCIONES** - Lea detenidamente todas las instrucciones de seguridad y operación antes de usar el aparato.
2. **CONSERVE LAS INSTRUCCIONES** - Conserve las instrucciones de seguridad y operación para consultas futuras.
3. **RESPETE LAS ADVERTENCIAS** - Observe estrictamente todas las advertencias impresas en el aparato y las incluidas en el manual de instrucciones.
4. **SIGA LAS INSTRUCCIONES** - Siga todas las instrucciones de operación.
5. **LIMPIEZA** - Desconecte el TV del tomacorriente mural antes de limpiarlo. No use limpiadores líquidos ni aerosol. Use un paño húmedo para la limpieza del aparato.
EXCEPCION: Un producto diseñado para servicio ininterrumpido y que por alguna razón, como ser la posibilidad de pérdida del código de autorización para un convertidor CATV, no debe ser desconectado por el usuario para limpieza u otro propósito, puede no incluir la advertencia en cuanto a no desconectar el aparato, en la descripción del procedimiento de limpieza 5.
6. **ENCHUFES** - No use enchufes no recomendados por el fabricante del TV, ya que podría ser peligroso.
7. **AGUA Y HUMEDAD** - No use este TV cerca del agua, por ejemplo, cerca de una bañera o lavamanos, cerca del fregadero de la cocina o lavandería, en un piso mojado, cerca de una piscina, etc..
8. **ACCESORIOS** - No instale este TV en un carro, soporte, trípode o mesa inestables. El TV podría caerse, causando serias lesiones a un niño o adulto, resultando también severamente dañado. Uselo sólo en un carro, soporte, trípode o mesa recomendados por el fabricante, o vendidos con el TV. Toda instalación del aparato debe hacerse de acuerdo a las instrucciones del fabricante, empleando los accesorios de instalación recomendados por el mismo. La combinación de aparato y carro deberán ser movida con cuidado. Las detenciones bruscas, la fuerza

- excesiva y las superficies disparesas podr n hacer que el aparato y el carro se vuelquen.
9. **VENTILACIÓN** - El gabinete del aparato tiene ranuras y aberturas de ventilación que garantizan el funcionamiento confiable del TV, evitando que se recaliente. Estas aberturas no deberán ser bloqueadas ni cubiertas. Para evitar bloquear las aberturas, nunca sitúe el TV encima de una cama, sofá, alfombra u otra superficie similar. Tampoco instale el TV cerca o encima de un radiador o calefactor. El TV no debe ser instalado en un mueble empotrado, como ser una repisa para libros o bastidor, a menos que se pueda garantizar una ventilación adecuada, o cuando las instrucciones del fabricante así lo especificuen.
 10. **ALIMENTACIÓN** - Este TV sólo debe ser operado mediante el tipo de fuente de alimentación especificado en la etiqueta indicadora. Si no esté seguro del tipo de fuente de alimentación que tiene en su casa, consulte a su distribuidor o a la compañía de electricidad local. En el caso de TV diseñados para funcionar a pilas o con otras fuentes de alimentación, consulte el manual de instrucciones respectivo.
 11. **CONEXIÓN A TIERRA O POLARIZACIÓN** - Este TV está equipado con una clavija polarizada de corriente alterna (una clavija que tiene una espiga m s ancha que la otra). Esta clavija solamente podrá ser insertada en el tomacorriente en una sola dirección. Esta es una medida de seguridad. Si no pudiera insertar completamente la clavija en el tomacorriente, vuelva a intentarlo invirtiendo la clavija. Si aún no fuera posible insertar la clavija, tome contacto con un electricista para que repare su tomacorriente obsoleto. No modifique las características de seguridad de la clavija polarizada.
 12. **PROTECCIÓN DEL CABLE DE ALIMENTACIÓN** - Los cables de alimentación deberán ser tendidos de manera tal que la probabilidad de que sean pisados o aplastados por otros objetos sea mínima. Preste especial atención a las clavijas de los cables, a los receptáculos, y al punto por donde salen del aparato.

13. CONEXIÓN A TIERRA DE LA ANTENA

EXTERIOR - Si conecta una antena exterior o sistema de cable al TV, asegúrese de conectar a tierra la antena o el sistema de cable para tener una cierta protección contra alzas repentinas de tensión y cargas de electricidad está tica. Las Artículo 810 del Código Nacional de Electricidad, ANSI/NFPA, núm. 70, entrega información acerca de la manera correcta de conectar a tierra el mástil y la estructura soportante, tamaño de los conductores de puesta a tierra, ubicación de la unidad de descarga de la antena, conexión a los electrodos de tierra, y requisitos para el electrodo de tierra. (Fig. A)

14. **TORMENTAS ELÉCTRICAS** - Como medida adicional de protección durante tormentas eléctricas, o cuando el grabador de videocassetes permanezca sin uso durante períodos prolongados de tiempo, desconéctelo del tomacorriente mural y desconecte la antena o sistema de cable. Esto evita que el TV resulte dañado por tormentas eléctricas o sobretensiones en la línea de alimentación.

15. **LÍNEAS DE ALIMENTACIÓN** - Un antena exterior no debe ser instalada en la cercanía de líneas de alimentación aéreas ni de otros circuitos de potencia para iluminación eléctrica, o donde pueda caerse y hacer contacto con tales líneas o circuitos. Al instalar un sistema de antena exterior, tenga mucho cuidado de no tocar tales líneas o circuitos de alimentación, ya que el contacto con ellos podría ser fatal.

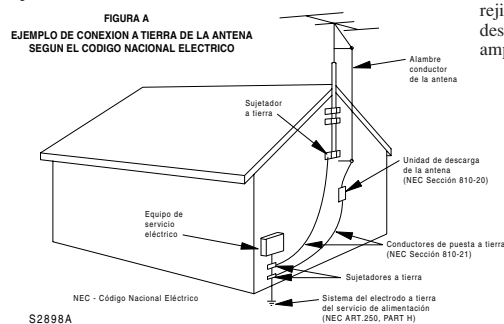
16. **SOBRECARGA** - No sobrecargue los tomacorrientes murales ni los cables de extensión, ya que esto podría causar incendios o descargas eléctricas.

17. **ENTRADA DE OBJETOS Y LÍQUIDOS** - Nunca introduzca objetos de ningún tipo por las aberturas de este TV, ya que podría tocar peligrosos puntos de alta tensión o piezas de cortocircuito, provocando incendios o descargas eléctricas. Nunca derrame ningún tipo de líquido sobre el TV.

18. **SERVICIO** - No intente reparar el TV usted mismo; al abrir o desmontar las cubiertas usted se expondrá a alta tensión y a otros peligros. Solicite todo servicio a personal calificado.

19. **DAÑOS QUE REQUIERAN REPARACION** - En los siguientes casos, desconecte el TV del tomacorriente mural y llame a un técnico de servicio calificado:

- a. Cuando el cable de alimentación o la clavija estén dañados.
 - b. Si se ha derramado líquido sobre la unidad, o si algún objeto ha caído dentro del TV.
 - c. Si el TV ha sido expuesto a la lluvia o al agua.
 - d. Cuando a pesar de haber seguido las instrucciones de operación, el TV no funcione normalmente. Ajuste solamente los controles mencionados en el manual de instrucciones; el ajuste incorrecto de otros controles podr causar daños a la unidad, la que por lo general requerir de un prolongado trabajo de reparación (por un técnico calificado) para que sus condiciones normales de operación puedan ser restablecidas.
 - e. Si el TV se ha caído o si el gabinete se ha dañado.
 - f. Cuando el grabador de videocassetes muestre un cambio notorio en su rendimiento.
20. **PIEZAS DE REPUESTO** - Cuando sea necesario reemplazar piezas, asegúrese de que el técnico de servicio emplee las piezas de repuesto especificadas por el fabricante, o piezas que tengan las mismas características que las piezas originales. Las sustituciones no autorizadas podrán causar incendios, descargas eléctricas y otros problemas.
21. **REVISIÓN DE SEGURIDAD** - Al finalizar cualquier servicio de mantenimiento o reparación de este TV, solicite al técnico que efectúe comprobaciones de seguridad para determinar si el TV se encuentra o no en condiciones óptimas de operación.
22. **CALOR** - Este producto TV deben colocarse fuera del alcance de fuentes de calor tales como radiadores, rejillas de calefacción, estufas o cualquier otro aparato destinado a producir calor, incluyendo los amplificadores.



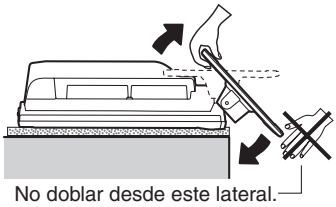
ADVERTENCIA DE LA FCC - Este equipo puede generar o utilizar energía de radiofrecuencia. Los cambios o modificaciones del equipo pueden causar serias interferencias si dichos cambios o modificaciones no han sido expresamente aprobados en el manual. El usuario podrá perder la autoridad para operar este equipo si efectúa una modificación o cambio no autorizado.

Nota para la persona que instale el sistema CATV:

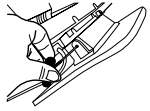
Este recordatorio se agrega para llamar la atención de quien instale el sistema CATV, con respecto al Artículo 820-40 de la NEC que provee directivas guía para realizar una conexión adecuada a tierra y, en particular, especifica que el cable de puesta a tierra debe ser conectado al sistema de terminal a tierra del edificio lo más cercano al punto de entrada del cable como sea posible.

PREPARATIVOS PARA EL USO

DESEMBALAJE



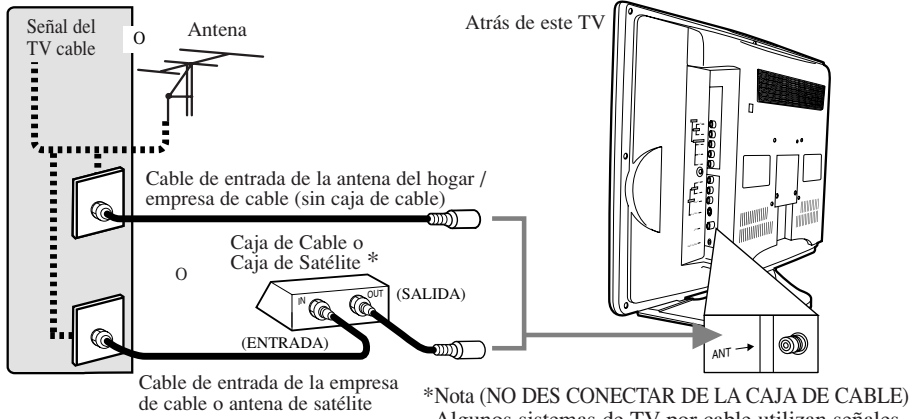
El soporte de este TV está doblado cuando lo saque de la caja. Ponga este TV con su cara hacia abajo en un superficie plano, colocando una almohadilla entre ellos. Gire el soporte lentamente hacia adelante hasta que quede en su lugar haciendo un ruido seco.



Si desea doblar el soporte de nuevo, inserte un rollo delgado en el orificio del lado derecho del soporte como ilustrado, y gire el soporte hacia atrás mientras sigue empujando el orificio.

CONEXIONES

Enchufe el cable de entrada en la toma ANT atrás de la unidad.



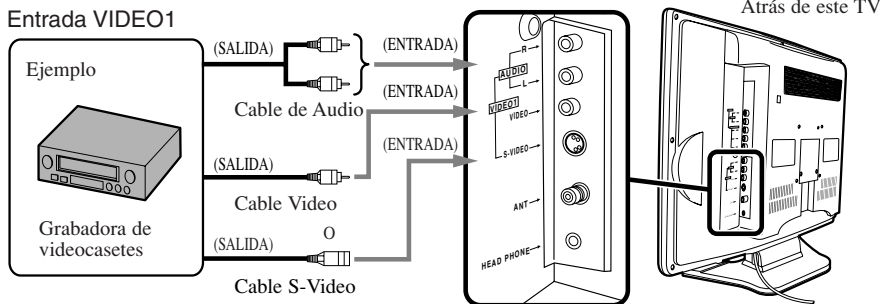
Cable bifilar plano

Puede enganchar este producto a un TV con montura en la pared utilizando el brazo adaptado para 100 mm (de venta en los comercios).

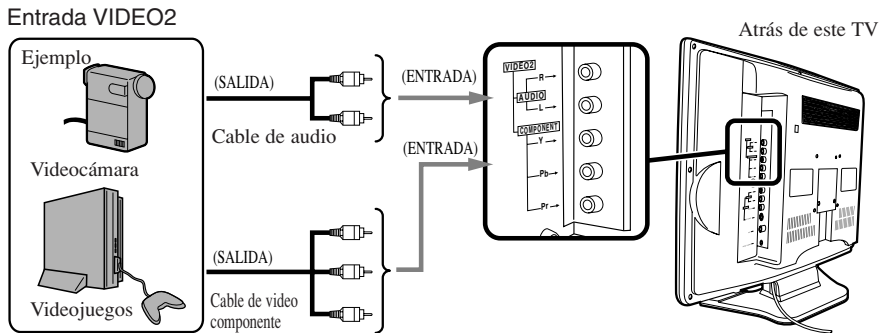
PRECAUCIÓN: PARA IMPEDIR DESCARGAS ELÉCTRICAS, INTRODUZCA LA PATILLA ANCHA EN LA RANURA ANCHA E INSERTE A FONDO LA CLAVIJA.

NOTA:
• Para su seguridad y para evitar que se dañe la unidad, desenchufe el cable de antena de la toma ANT antes de mover la unidad.

[CONEXIÓN EXTERNA]

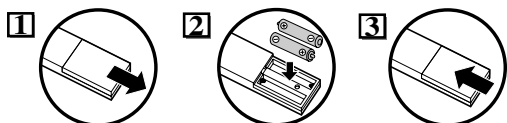


Notas:
• La toma AUDIO L es para entrada monoaural. El sonido se escucha por ambos altavoces. Utilice esta toma para conectar un equipo de audio monoaural.
• La toma S-VIDEO tiene prioridad sobre la toma VIDEO.



Notas:
• Este TV puede aceptar la señal de video de 480p / 480i / simplificada de 1080i.
• La señal de vídeo simplificada de 1080 es diferida a la señal de vídeo original de 1080i porque se muestra después de ser convertida a señal de 480p.

INSTALACION DE LAS PILAS



Instale dos pilas AAA (incluidas) de tal forma que coincida la polaridad dentro de compartimiento de pilas del mando a distancia.

[PRECAUCIONES CON LAS PILAS]

- Asegúrese de cumplir con la polaridad correcta tal como se indica en el compartimiento de pilas. Una polaridad invertida puede dañar el equipo.
- No mezcle distintos tipos de pilas entre sí (por ejemplo: alcalinas y carbono-cinc) o pilas viejas y nuevas.
- Si el equipo no se va a utilizar durante mucho tiempo, saque las pilas para evitar daño o herida por posible fuga de la pila.
- No trate de recargar pilas no diseñadas para recarga; pueden calentarse excesivamente y romperse.

PREPARACIÓN INICIAL

Cuando se enciende la unidad por primera vez, se muestra la pantalla de "SELECT LANGUAGE". El menú de "INSTALACIÓN INICIAL" se muestra cada vez que encienda la unidad a menos que la exploración haya finalizado.

1 Seleccione el idioma deseado según lo indicado en la pantalla. Después de eso, el TV realiza "PREA. AUTO CA." para explorar los canales disponibles para emisión en su zona.

2 Si la pantalla del TV muestra "interferencias de nieve" y no funciona bien durante más de 5 segundos, aparecerá "SUGERENCIAS ÚTILES". Siga las instrucciones de la pantalla.

SUGERENCIAS ÚTILES

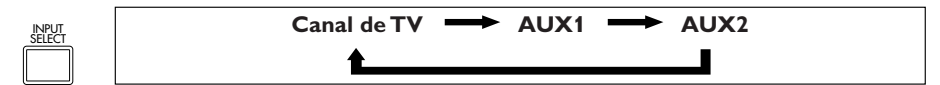
1. VERIFIQUE ANTES CABLE/SATELITE ESTÁ BIEN CONECTADO.
2. VERIFIQUE "PREA. AUTO CA." ESTÁ BIEN AJUSTADO.
3. LEA LA PÁGINA FRONTAL DEL MANUAL DEL USUARIO O PANEL TRASERO PARA EL NO. TEL. DE AYUDA A LOS CLIENTES.

Al finalizar la exploración, o cuando se presiona [MENU] durante la exploración de canales para cancelarla, el sintonizador se detiene en el canal memorizado más bajo.

Notas:
• En caso de que no pueda recibirse ningún canal mediante la exploración de canales, "NO HAY SEÑAL DE TV" aparece en pantalla. Apague la unidad y compruebe la conexión de la antena; a continuación, aplique otra vez el paso 1.
• Si este ajuste no funciona correctamente, llame a nuestro teléfono de asistencia (en la portada en este manual del usuario).

SELECCION DE LA ENTRADA AUDIO/VIDEO

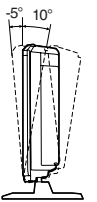
Cuando utilice las tomas de entrada AUDIO/VIDEO, seleccione el modo "AUX1" o "AUX2" presionando [INPUT SELECT] en el mando a distancia o [SELECT] en la unidad principal. El modo de entrada cambia presionando el botón de la siguiente forma:



MARCO INCLINADO

Marco inclinado

Ajuste el marco para cambiar el ángulo del TV (-5° ~ 10°).



OPERACIONES

FUNCIONES DEL MANDO A DISTANCIA Y PANEL SUPERIOR

<p>Transmisor de infrarrojos Para enviar una señal de rayos infrarrojos</p> <p>Botón POWER Para encender/apagar el TV</p> <p>Botones VOL Δ/∇ Para ajustar el volumen</p> <p>Para decidir los comandos de ajuste</p> <p>Botón MENU Para visualizar el menú en la pantalla</p> <p>Botón MUTE Suprime la salida de sonido</p> <p>Botón DISPLAY Para mostrar el estado de N° CA/audio</p>		<p>Botón INPUT SELECT Para seleccionar el TV o entrada externa</p> <p>Botones CH ▲/▼ Para seleccionar los canales y desplazarse hacia arriba y abajo a través de los elementos de los menús</p> <p>Botones de número de canal Pulse dos dígitos para acceder directamente al canal deseado. Recuerde pulsar "0" antes de pulsar el número de un canal de un sol dígito.</p> <p>Botón +100 Pulse para seleccionar canales de cable de más de 99.</p> <p>Botón SLEEP Para ajustar el Temporizador para dormir</p> <p>Botón CH RET Para volver al canal anterior</p>
---------------------------------------------------------------------------------------------------------------------------------------------------------------------------------------------------------------------------------------------------------------------------------------------------------------------------------------------------------------------------------------------------------------------------------------------------------	--	-------------------------------------------------------------------------------------------------------------------------------------------------------------------------------------------------------------------------------------------------------------------------------------------------------------------------------------------------------------------------------------------------------------------------------------------------------------------------------------------------------------------------------------------------------------------------------------------------------------------------------------

Nota:
• Haga una prueba para confirmar que el mando a distancia envía una señal de infrarrojos con una radio AM. (Consulte "GUIA DE LOCALIZACION DE PROBLEMAS".)

<p>Botón MENU Para visualizar el menú en la pantalla</p> <p>Botones VOLUME Δ/∇ Para ajustar el volumen</p> <p>Botones CHANNEL ▲/▼ Para seleccionar canales</p> <p>Botón SELECT Para seleccionar el TV o entrada externa</p> <p>Botón POWER Para encender/apagar el TV</p>	
----------------------------------------------------------------------------------------------------------------------------------------------------------------------------------------------------------------------------------------------------------------------------------------------------------------------------------	--

Ventana del sensor de infrarrojos

Nota:
• Si aparecen algunas cifras en la esquina de la pantalla cuando se enciende la unidad por primera vez, presione [POWER] sin desenchufar el cable eléctrico.

OPERACIONES (Continúa)

AJUSTE DE CANAL

[PREAJUSTE AUTO DE CANALES]

Es necesario preparar los canales al inicio o cuando lleve el TV a una región diferente. Esta función busca y memoriza automáticamente todos los canales en su región y permite seleccionarlos fácilmente con [CH ▲/▼].

- 1 Seleccione "AJUSTE DE CANAL"
- 2 Seleccione "PREA. AUTO CA."

El sintonizador empieza a buscar automáticamente.
- 3 Después de la búsqueda

(terminado) Aparece el canal memorizado más bajo. 15

(fallo) Verifique la conexión de la antena y pruebe otra vez. 0

NO HAY SEÑAL DE TV

Nota:

- El TV puede reconocer los canales de TV como canales de cable (CATV) si el estado de la recepción es malo. En este caso, verifique las conexiones de la antena y pruebe nuevamente cuando las condiciones de la recepción sean mejores.

[AGREGACIÓN / BORRADO DE CANALES]

Puede agregar canales no memorizados con PREA. AUTO CA. debido al mal estado de la recepción y también borrar canales que ya no necesita o casi nunca mira.

- 1 Seleccione "AJUSTE DE CANAL"
- 2 Seleccione "AGREGAR/BORRAR CA"
- 3 Seleccione el canal deseado
- 4 Agregue o borre el canal
- 5 Para salir del menú

AJUSTE DE IMAGEN

- 1 Seleccione "IMAGEN"
- 2 Seleccione un ítem a ajustar
- 3 Ajuste la selección

Nota:

- La indicación desaparecerá automáticamente después de 10 segundos a menos que presione un botón.

AJUSTE DE LUZ DE FONDO

- 1 Seleccione "LUZ DE FONDO"
- 2 Seleccione el modo de brillo deseado
- 3 Para salir del menú

SUBTITULOS NARRATIVOS

Puede ver el programa de TV con etiqueta especial (cc), películas, noticias y cintas pregabadas, etc. con el subtítulo de diálogo o con el texto agregado al programa.

- 1 Seleccione "TITULO"

[MODO DE TITULO (SUBTIT1, SUBTIT2)]

- SUBTIT1** muestra subtítulos narrativos normales (qué es lo que dice un personaje).
- SUBTIT2** muestra los subtítulos narrativos de un idioma extranjero (palabras en idioma extranjero mostrando lo que dice un personaje).
- Hay tres formas de mostrar de acuerdo con el programa:

Modo pintado : Muestra inmediatamente los caracteres entrados en la pantalla.

Modo emergente : Una vez memorizados los caracteres, aparecen de una vez.

Modo de avance : Muestra los caracteres continuamente en un rollo (máx. 4 líneas).

CLARIDAD

Ajuste hasta que las partes más oscuras de la imagen tengan el brillo preferido.

[-] : disminuye el brillo

[+] : aumenta el brillo

CONTRASTE

Ajuste para aumentar o reducir el contraste.

[-] : disminuye el contraste

[+] : aumenta el contraste

COLOR

Ajuste el color a brillante o pálido.

[-] : color pálido [+] : color brillante

MATIZ

Ajuste para obtener tonos de piel naturales.

[-] : agregue rojo [+] : agregue verde

AGUDEZA

Ajuste para ver más detalles en la imagen.

[-] : suave [+] : nítido

AJUSTE DEL TEMPORIZADOR PARA DORMIR

- 1 Seleccione "REPOSAR"

• El tiempo aumenta en 10 minutos hasta 90.

Notas:

- Cuando desconecte la unidad del tomacorriente de CA o cuando tiene un corte eléctrico, se perderá el tiempo para dormir.
- Para cancelar el temporizador para dormir, presione repetidamente [SLEEP] hasta que aparezca "REPOSAR 0 MINUTO".
- La pantalla de ajuste del temporizador para dormir desaparecerá automáticamente después de 10 segundos del funcionamiento.
- Puede ajustar también el temporizador para dormir presionando [SLEEP] repetidamente.

SYSTEMA DE SONIDO DE TELEVISION DE MULTIPLES CANALES (MTS)

- 1 Seleccione "SONIDO TV"
- 2 Seleccione el modo el sonido deseado
- 3 Para salir del menú

Selección de menú	MAIN	MONO	SAP*
Tipo de transmisión	Regular	-Ninguno-	-Ninguno-
Transmisión estéreo	ESTEREO	MONO	ESTEREO
SAP	MAIN	MAIN	SAP

*Segundo programa de audio (SAP) :

Su programa también puede recibirse en un segundo idioma o a veces una emisora de radio.

Nota:

- Si selecciona [SAP] cuando no hay un segundo audio disponible, el TV recibirá el audio normal.

AJUSTES OPCIONALES

SELECCION DE IDIOMA

- 1 Seleccione "IDIOMA"

- 2 Seleccione el idioma deseado
- 3 Para salir del menú

AJUSTES OPCIONALES (Continúa)

INSTALACION DE V-CHIP

Permite que los padres prohíban que sus hijos vean material no apto para ellos en la TV.

- La limitación no existe para las noticias, programa de deportes, películas no editadas en los canales de cable premium y las señales del sistema de transmisión de emergencia.
- Cuando intenta acceder a programas bloqueados, aparece un mensaje "PROGRAMA PROHIBIDO por ..." en la pantalla de TV.
- La programación puede tener clasificación de la Asociación Americana de Películas (MPAA) o las Guías de Padres para Televisión. Para bloquear programación no apta, ajuste sus límites de nivel para CLASE DE MPAA y CLASE DE TV.

1 Seleccione "AJUSTE DE V-CHIP"

2 Ingrese un código de 4 cifras

Si no ajustó su código de acceso personal, ingrese 0000 (código de acceso por omisión).

3 Seleccione una función a instalar

A [INSTALACION DE CLASE DE TV]

4 Seleccione un nivel

<Selección> <Explicaciones de categoría de nivel>

- TV-Y : Apto para todos los niños
- TV-Y7 : Apto para niños mayores de 7 años
- TV-G : Auditorio general
- TV-PG : Se sugiere Guía de Padres
- TV-14 : No apto para niños de menos de 14 años
- TV-MA : Sólo para adultos

5-1 * Nivel sin subcategorías

Ajuste a [BLOQ.] o [MIRAR]

5-2 * Nivel con subcategorías

2 veces

Subcategorías

Seleccione un nivel

Ajuste a [BLOQ.] o [MIRAR]

<Selección> <Explicaciones de categoría de nivel>

- TV-Y7 : Violencia en fantasía
- TV-PG / TV-14 / TV-MA : D : Diálogo sugerente (Sólo TV-PG, TV-14)
- L : Lenguaje inapropiado
- S : Situaciones sexuales
- V : Violencia

B [AJUSTE DE CLASE DE MPAA]

4 Seleccione un nivel

5 Ajuste a [BLOQ.] o [MIRAR]

repetidamente

<Selección> <Explicaciones de categoría de nivel>

- G : Audiencia general
- PG : Se sugiere Guía de Padres
- PG-13 : No apto para niños de menos de 13
- R : Limitación, los menores de 17 deben estar acompañados por un padre o adulto responsable
- NC-17 : Prohibido para menores de 17
- X : Sólo para adultos

6 Para salir del menú

Notas (para niveles CLASE DE TV y CLASE DE MPAA):

- No puede tener acceso al menú de ajustes cuando aparece el mensaje "PROGRAMA PROHIBIDO por ...". Vaya a un canal no bloqueado antes de presionar [MENU].
- Cuando selecciona un nivel y [BLOQ.], los niveles más altos se bloquean automáticamente. Los niveles más bajos pueden verse.
- Cuando usted configura "X" o "TV-MA" a [MIRAR], todas las calificaciones pasan automáticamente a [MIRAR].

C [CAMBIO DEL CODIGO DE ACCESO]

4 Ingrese un código de 4 cifras

5 Para salir del menú

Notas:

- Asegúrese de entrar exactamente el mismo nuevo código en el espacio "CODIGO CONFIRMADO" que en el espacio "CODIGO NUEVO". Si son diferentes, se borra el espacio "CODIGO NUEVO" para volver a empezar.
- Se borrará su código de acceso personal y volverá al valor por omisión (0000) cuando se produce un corte eléctrico o cuando desconecte la electricidad con un interruptor de pared. Si se olvidó el código, desenchufe el cable eléctrico durante 10 segundos para volver el código de acceso a 0000.

GUIA DE LOCALIZACION DE PROBLEMAS

A veces el problema del funcionamiento puede resolverse fácilmente verificando posibilidades que son obvias pero se olvidó de confirmar. Antes de solicitar el servicio, verifique estos puntos. Le ahorrará tiempo y dinero.

LISTA DE VERIFICACION RAPIDA DE SERVICIO

Problema	Possible solución
Mando a distancia no funciona	2, 10, 15, 16
Barras en la pantalla	5, 6
Imagen distorsionada	1, 5, 12
Imagen avanza verticalmente	1, 5, 6
No hay color	1, 4, 5, 8
Mala recepción en algunos canales	1, 4, 5, 6
Imagen débil	1, 4, 5, 9, 12, 13
Líneas o rayas en la imagen	1, 5, 6
Fantasma en la imagen	1, 4, 5, 6
Imagen borrosa	1, 5
Sonido bueno, imagen mala	1, 4, 5, 6, 9, 12, 13
Sonido mala, imagen bueno	1, 6
Ni imagen ni sonido	1, 2, 3, 4, 5, 7
Diferentes marcas de color en pantalla	1, 11
Punto negro o encendido en la pantalla	14

*Prueba suplementaria del mando a distancia
Sintonice una radio AM a una banda que no tenga emisoras. Presione un botón en el mando a distancia apuntando hacia la radio. El sonido oscila cuando presione una tecla y la radio recibe una señal. Esto significa que la unidad del mando a distancia está funcionando.

Problema de captión cerrada	Possible solución
Aparecen subtítulos con error de ortografía.	Los errores de ortografía pueden pasar inadvertidos por la empresa que prepara los subtítulos narrativos en una transmisión en vivo.
No aparece todo el texto o hubo un retardo en lo que dijo.	Los subtítulos con retardo de unos segundos detrás del diálogo real son comunes en las transmisiones en vivo. La mayoría de las empresas que preparan subtítulos pueden mostrar un diálogo a un máximo de 220 palabras por minuto. Si un diálogo supera esa velocidad, se utiliza una edición selectiva para que los subtítulos sigan el diálogo actual en la pantalla de TV.
Los subtítulos aparecen mal con recuadros blancos en la pantalla de TV.	La interferencia de edificios, líneas de tensión, tormentas, etc. pueden hacer que el subtítulos aparezca mal o incompleta.
No aparecen subtítulos en un programa que debería tener subtítulos narrativos.	Las emisoras pueden utilizar un proceso de compresión de tiempo en el programa para dar más tiempo de publicidad. En este caso, los subtítulos pueden perderse porque el decodificador no puede leer la información comprimida.
No aparecen captiones cuando reproduce una videocinta pregrabada con subtítulo narrativo.	La videocinta puede ser una copia ilegal de la cinta o la empresa que hizo copias puede haber perdido accidentalmente las señales de subtítulos durante el copiado.
La pantalla de TV muestra un recuadro negro.	Está en el modo de TEXTO. Seleccione [SUBTIT1], [SUBTIT2] u [OFF].

El panel de cristal líquido se fabricó para que disfrute de muchos años de uso. A veces pueden aparecer algunos pixeles no activos como puntos fijos en azul, verde o rojo. Esto no se considera un defecto de la pantalla de cristal líquido.

MANTENIMIENTO

LIMPIEZA DEL MUEBLE

- Frote el panel frontal y otras superficies exteriores del TV con un paño suave empapado en agua tibia y estrujado.
- Nunca utilice un disolvente o alcohol. No rocíe líquido insecticida cerca del TV. Estos químicos pueden dañar la superficie expuesta o perder color.

LIMPIEZA DE LA PANTALLA DE IMAGEN

Si fuera necesario limpiar el panel de cristal líquido, frote con un paño de algodón o tela blanda. Antes de limpiarlo, desconecte el cable de alimentación de energía.

ACCESORIOS INCLUIDOS

- Manual del usuario (1EMN21765A)
- Unidad del mando a distancia (NE903UD)
- Pilas ("AAA" x 2)

ESPECIFICACIONES

ESPECIFICACIONES GENERALES

Sistema de televisión: NTSC-M
TV normal

Sistema de captión cerrada: \$15.119/FCC

Gama de canales

VHF: 2 ~ 13
UHF: 14 ~ 69
CATV: 2 ~ 13, A ~ W, W+1 ~ W+84, A-5 ~ A-1, 5A

Sistema de sintonización: sistema de sintonización sintetizada de frecuencia de 181 canales

Acceso de canal: Teclado de acceso directo, programable para barrido arriba/abajo

Terminales

Entrada de antena: VHF/UHF/CATV 75 ohmios desequilibrado (tipo F)

Entrada S-Video: Toma de 4 patillas Mini DIN

Entrada de video: Conector RCA x 1

Entrada de audio: Conector RCA x 4

Salida de video componente: Toma de un pasador (Y), 1Vpp (75 ohmios) Tomas de dos pasadores (Pr)(Pb), 700mVpp (75 ohmios)

Casco auricular: 1/8" esteriofonía (3,5mm)

Sistema de sonido de estereofonía

2 altavoces
2 entrada de video/audio

ESPECIFICACIONES ELECTRICAS

Salida de sonido: 1W, 8 ohmios x 2

OTRAS ESPECIFICACIONES

Mando a distancia: Sistema de infrarrojos con codificación digital

Temperatura de funcionamiento: 5°C a 40°C (41°F~104°F)

Requisitos eléctricos: CA de 120V, 60Hz

Consumo eléctrico (Máximo): 53 W

LCD: 20 pulg.

Dimensiones (Al. x An. x Prof.):

Con marco inclinado 18-5/16 pulg. x 23-3/8 pulg. x 9-1/8 pulg. (465mm x 594mm x 231mm)

Peso: Con marco inclinado: 13,2 lbs. (6,0 kg)

•El diseño y las especificaciones están sujetos a cambios sin previo aviso y sin obligación legal.

•Si hay una diferencia entre idiomas, el idioma básico será el inglés.